

SPECIFICATION | **MB-RGB-BAR-16716/1903/DMX512-L**

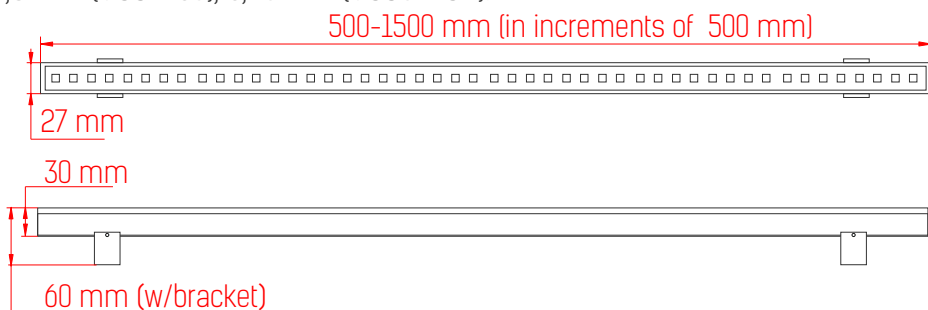
3 WARRANTY
3 YEAR *

Storage temperature:
-30°C...+60°C
Operating temperature:
-25°C...+50°C



The technology is based on:

16 controllable luminous elements (3 LEDs in each)/
8 bit depth controllers SM16716/16726/UCS1903/UCS512C4,
256 gray gradations and total 16 mln color combinations.
Controller working frequency: up to 30 MHz;
0,8 MHz (UCS1903); 0,25 MHz (UCS512C4).



Diode type	RGB 5050
Controller	SM16716/16726
Number of LEDs	48
Number of controllable segments	16
Distance between LEDs	21 mm
Supply voltage	DC 12 V
Input power	12 W/m
Luminous flux	258,24 lm/m
Luminous flux angle	40°
Protection rating	IP67 / IP20
Enclosure	Aluminum (silver/black)
Dimensions	1000*27*30 (60 w/ bracket) mm
Weight	610 g (1 m long luminaire with connectors) 50 g (Bracket kit)

ADVANTAGES:

- Controllable dynamic lighting;
- Any custom light effects;
- Customizable products of any length (up to 1,5 m);
- Optional swing bracket;
- Moisture protection IP67.

APPLICATION:

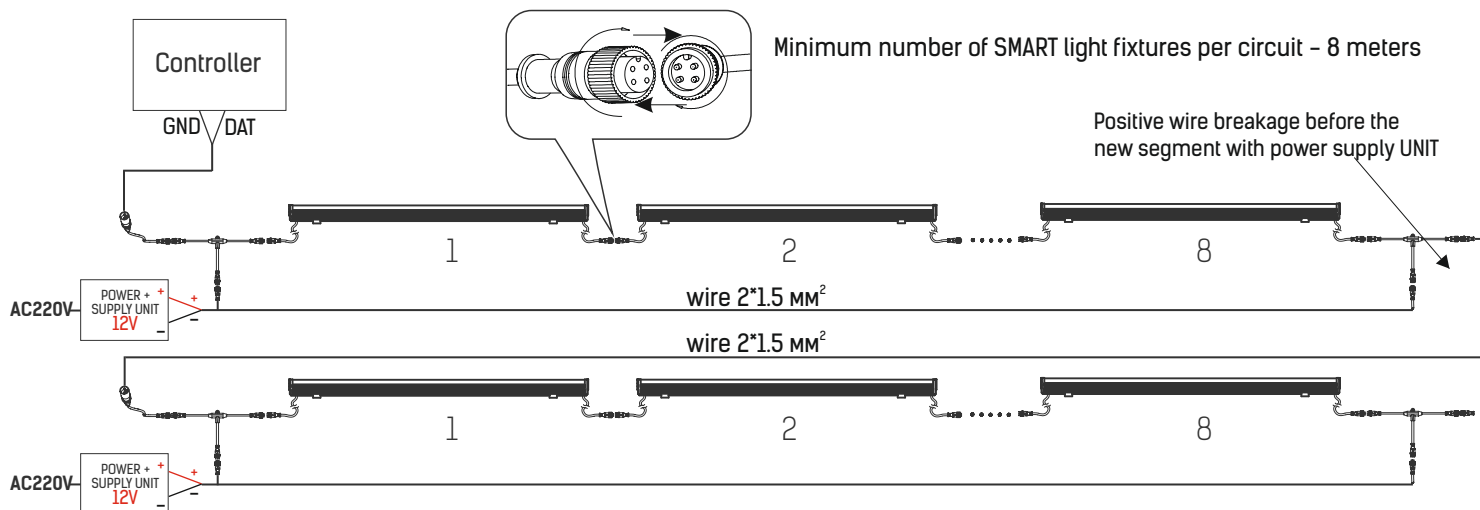
- Facade installations;
- Light screens, displays, running letters;
- Dynamic advertisement, out-of-the-box solutions;
- Outdoor installations of various colors and lighting dynamics.

*If equipment operation period does not exceed 12 hours a day.
Day-and-night operation reduces the warranty period twofold.

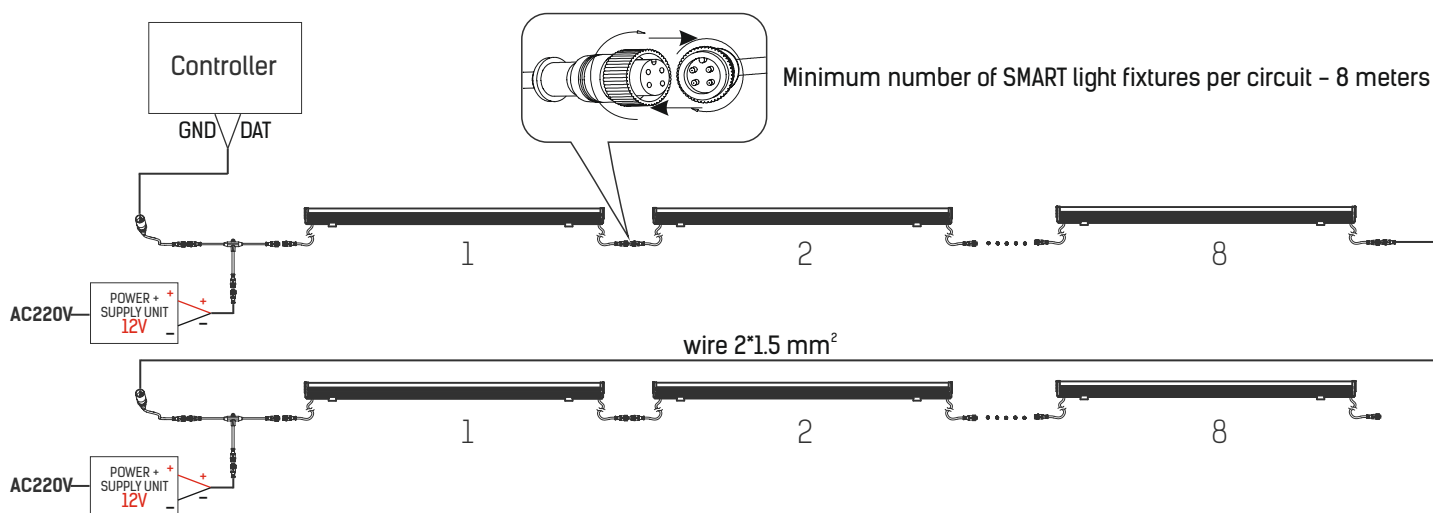


INSTALLATION

1. Two-side power connection diagram



2. Two-side power connection diagram (cascading)



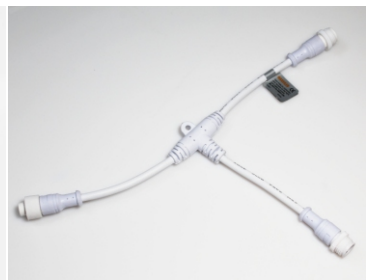
CALCULATION OF SMART LIGHT FIXTURES PER 1 POWER SUPPLY UNIT

Power supply unit (outdoor modification)	Number of lights (1m) min / max	Power supply unit (outdoor modification)	Number of lights (1m) min / max
LPV-35-12	1 / 3	RS-35-12	1 / 3
LPV-60-12	1 / 5	RS-50-12	1 / 4
MBPS-W-60-12	1 / 5	RS-100-12	1 / 8
LPV-100-12	1 / 8	MLPS-NW-100-12	1 / 8
MBPS-W-100-12	1 / 8	RS-150-12	1 / 12
CLG -150-12	1 / 11	NES-150-12	1 / 12
		NES-200-12	1 / 16

APPEARANCE



CONNECTORS



BRACKETS

