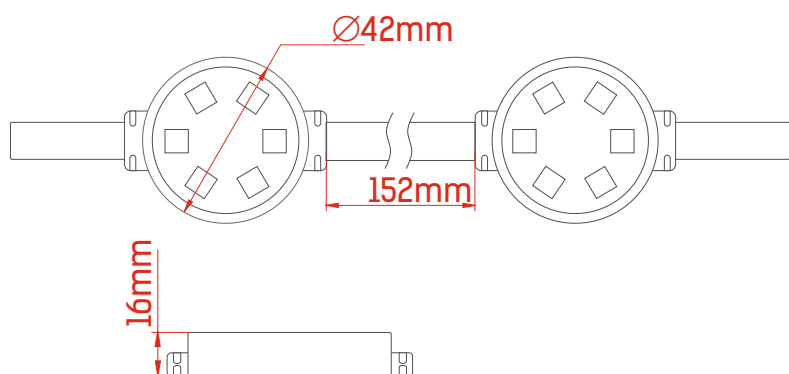


**SPECIFICATION | MB-M6RGB-FC-SF (BLACK DMX512) (42 mm)**

**2 WARRANTY\***  
**YEAR**

Storage temperature:  
-40C...+80C  
Operating temperature:  
-30C...+60C



Center distance	200mm
Mounting hole diameter	42mm
Voltage	DC24V
Power consumption	1,6W
Luminous flux	red: 10lm
	green: 22lm
	blue: 7lm
Light flux angle	120
Protection rating	IP66**
Dimensions	d=42*h=16mm
Modules per light string	40

The technology basis: the latest LED with a controller inside. The modular system includes a **DMX512** controller with **8 bits** per color, **256** shades of grey per color and overall color combination of **16 mln.** **250 - 750 kbit/s** data transfer rate. Adjustable color gamma.

**ADVANTAGES:**

- High-tech housing and waterproofing filling prevent moisture penetration (IP66);
- High-quality 3535 TOP Nation Star LEDs with UV and moisture protection;
- Light-scattering plastic cover with UV and mechanical damage protection;
- Double insulation wires and high moisture and UV protection connectors guarantee reliable operation in extreme conditions;
- Two mounting options: by means of ropes or in holes, by means of the housing latches;
- Controllable LED dynamics and customizable lighting effects;
- Linear parallel bus;
- Failure of any module does not affect the operation of the others.

**APPLICATION:**

- Advertising signs of any shape;
- Facade installations;
- Light screens, panels, running lines;
- Dynamic advertising, non-standard solutions;
- Open-door installations of various colors and light dynamics.



\*Subject to max 12 h/day equipment operation. For round-the-clock operation, the warranty period is reduced by 2 times.

\*\*For indoor and outdoor use by avoiding exposure to direct sunlight.

All product, product appearance and equipment are subject to change by the manufacturer without further notice

**PROJECT PHOTOS**



**PHOTO OF THE CONNECTORS**

**Diagram of male/female connectors**



The direction of signal transmission is indicated by an arrow on the flattest cable of the string.

