

SPECIFICATION | **MB-BAR-x**

**2** WARRANTY\*  
**YEAR**

Storage temperature:  
-30C...+60C  
Operating temperature:  
-25C...+50C



**Technical Specifications**

Description	MB-BAR-CW	MB-BAR-NW	MB-BAR-WW	MB-BAR-R	MB-BAR-G	MB-BAR-B	MB-BAR-Y
Color, color temperature	6500K	4000K	3000K				
Input power	15.4 W/m	15.4 W/m	15.4 W/m	7.4 W/m	7.4 W/m	7.4 W/m	7.4 W/m
Supply voltage	DC 24 V (minimum voltage: 22.8 V)						
Diode type	2835						
Number of LEDs	42 diodes/m						
Protection rating	IP67 / IP20						
Enclosure	Aluminum (silver/ black)						
Glass	Transparent / Ice / Milk						
Color of wires	White / Black						
Dimensions	Length: 0.5-1.5 m (in increments of 0.5 m), height: 27 mm, depth: 30 mm (60 mm w/bracket)						

**ADVANTAGES:**

- Moisture protection IP67;
- Customizable products of any length (up to 1.5 m);
- Optional swing bracket;
- Easy installation and maintenance.

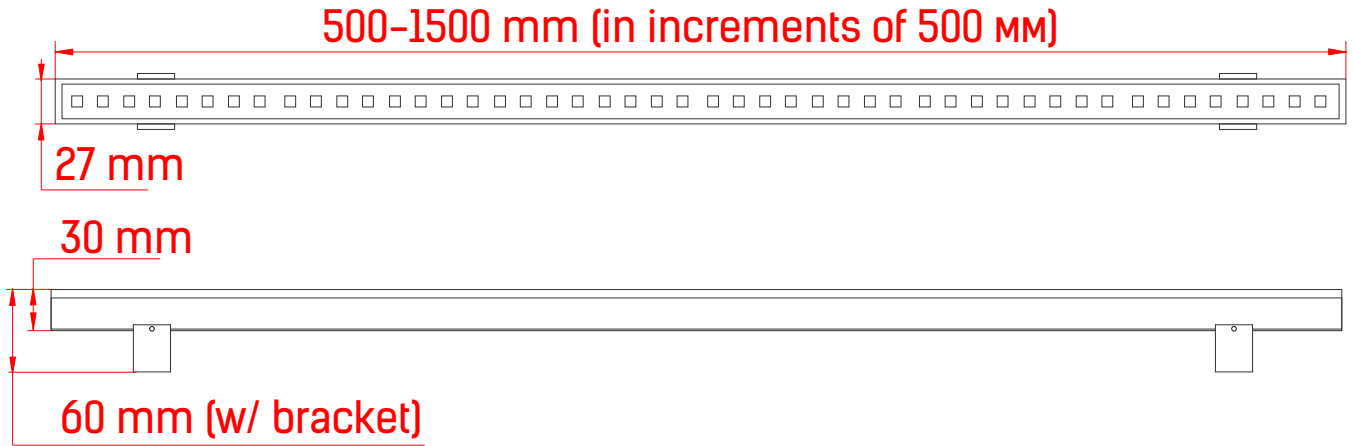
**APPLICATION:**

- Facade installations, contour building illumination;
- Dynamic light, out-of-the-box solutions;
- Architectural and landscape design.

\*If equipment operation period does not exceed 12 hours a day. Day-and-night operation reduces the warranty period twofold.

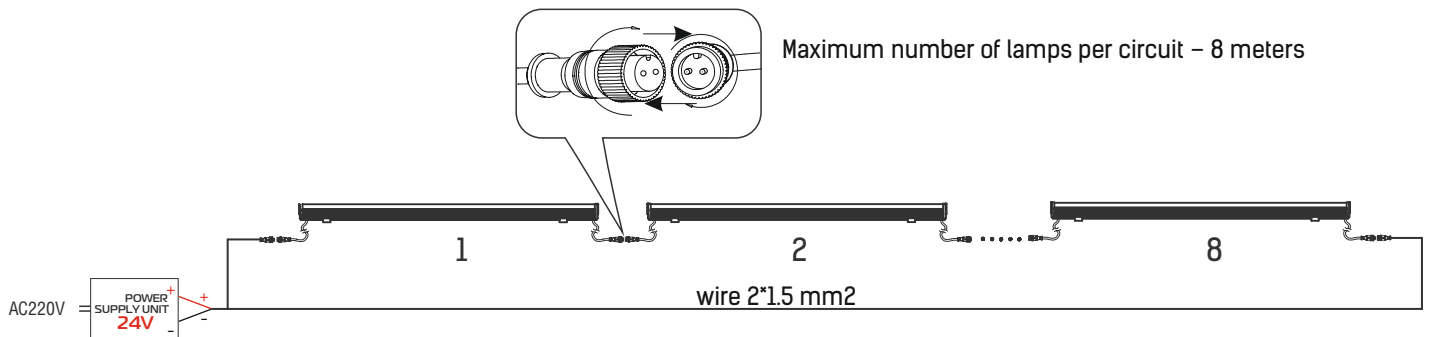


## DIMENSIONS

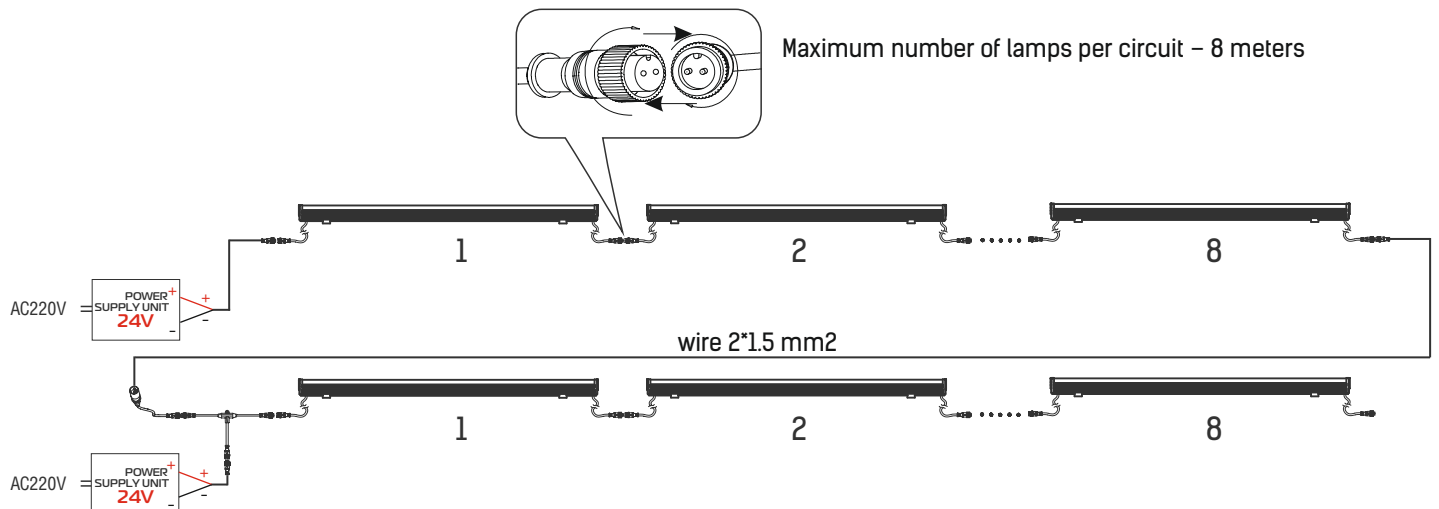


## INSTALLATION

### 1. Two-side power connection diagram



### 2. Two-side power connection diagram (cascading)



## APPEARANCE



## CONNECTORS



## BRACKETS

